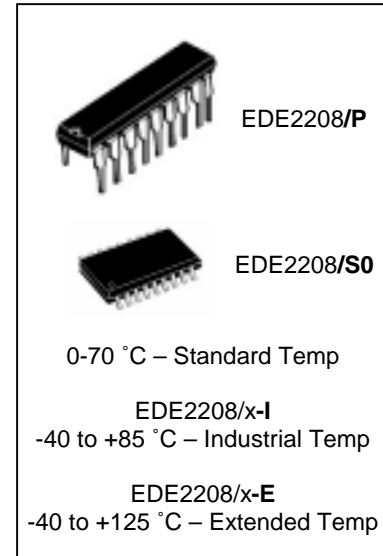
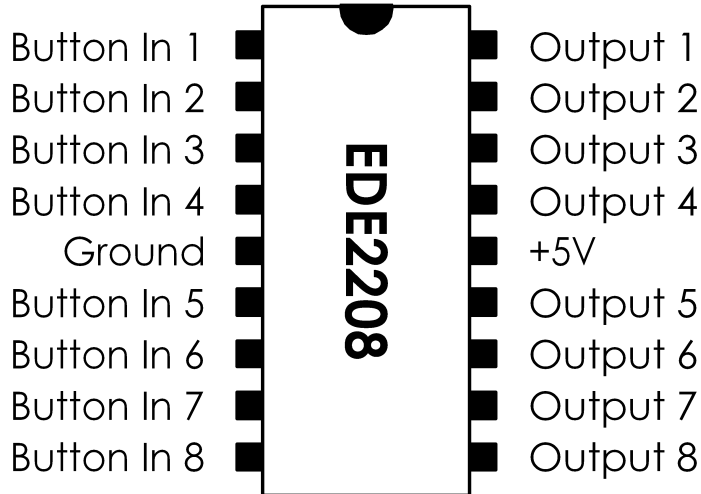


# EDE2208 Momentary to Toggle IC

## *Pushbutton Conversion from Momentary to Latched Functionality*



### **Features:**

- **Converts standard momentary pushbutton contacts into toggling output**
- **Automatically debounces input signal for glitch-free operation**
- **Provides latched output toggle functionality for membrane or any other type of mechanical pushbutton or contact closure**
- **Output alternates from +5V to 0V with each contact closure; output state is held between contact closures**
- **Each of eight channels operate independently**
- **TTL/CMOS compatible outputs**

### **Description:**

The EDE2208 Momentary-to-Toggle Pushbutton IC provides eight independent latching outputs that toggle state from 0 Volts (logic low) to +5V volts (logic high) with each momentary pushbutton input pulse, this allowing the use of less costly momentary switches instead of latching mechanical switches. The EDE2208 also removes the contact bounce noise from the input signal to ensure reliable operation and prevent unintended multiple switching. Applications include pushbutton interfacing to microcontrollers & other logic for mechanical toggle switch elimination, momentary signal detection for security applications, and converting membrane pushbuttons into latching outputs.

## PIN DEFINITIONS

### **Button Connections:**

<b>Button In 1</b> (Pin 1).....	mechanical pushbutton input #1
<b>Button In 2</b> (Pin 2).....	mechanical pushbutton input #2
<b>Button In 3</b> (Pin 3).....	mechanical pushbutton input #3
<b>Button In 4</b> (Pin 4).....	mechanical pushbutton input #4
<b>Button In 5</b> (Pin 6).....	mechanical pushbutton input #5
<b>Button In 6</b> (Pin 7).....	mechanical pushbutton input #6
<b>Button In 7</b> (Pin 8).....	mechanical pushbutton input #7
<b>Button In 8</b> (Pin 9).....	mechanical pushbutton input #8

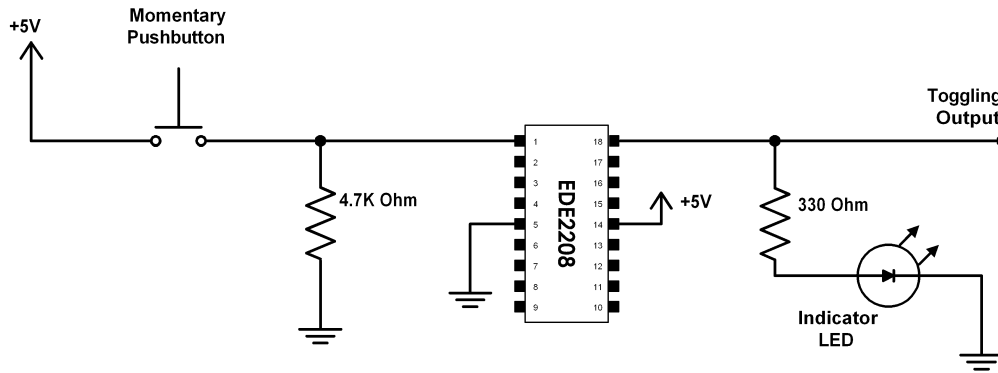
### **Toggling Outputs:**

<b>Output 1</b> (Pin 18).....	toggling output #1
<b>Output 2</b> (Pin 17).....	toggling output #2
<b>Output 3</b> (Pin 16).....	toggling output #3
<b>Output 4</b> (Pin 15).....	toggling output #4
<b>Output 5</b> (Pin 13).....	toggling output #5
<b>Output 6</b> (Pin 12).....	toggling output #6
<b>Output 7</b> (Pin 11).....	toggling output #7
<b>Output 8</b> (Pin 10).....	toggling output #8

### **Power:**

<b>+5V</b> (Pin 14).....	connect to +5V DC
<b>GND</b> (Pin 5).....	connect to 0V DC (Ground)

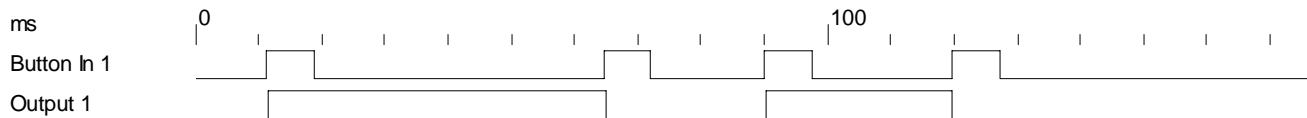
*Note: DIP and SOIC (surface mount) packages of the EDE2208 have identical pinout and pincount. Please specify EDE2208/P (DIP) or EDE2208/SO (SOIC) when ordering. Standard temperature range is 0 to 70°C. Extended temperature versions are available.*



**Figure One: Single-Channel Connection Example**

**(Note: any unused inputs (in this instance, pins 2-4, 6-9) should be tied to ground. These pins are left unconnected here for clarity).**

As illustrated by Figure One, the EDE2208 connects easily to any momentary pushbutton. In this example, the Button Input 1 (pin 1) is pulled to ground through a 4.7K resistor. Pressing the button connects +5V to the input, turning it from low to high. Upon seeing this transition on Input 1, the EDE2208 toggles the current state of Output 1, from low to high or high to low, depending upon the state it was latched in previously. In the above schematic, upon powerup the LED would be off. Pressing the button the first time would latch the LED on. Pressing it again would latch the LED off, and so on. The powerup state of all of the outputs is 0V (logic low). The timing diagram in Figure Two illustrates the results of pressing the pushbutton four times:



**Figure Two: Four Button Presses and the Corresponding EDE2208 Output**

As can be seen above, the EDE2208 output changes state with each new rising edge of the input pulse. The debounce period of the IC is 25ms, so noise due to contacting bounce on the input line is not counted as multiple button presses.

Each of the eight input channels of the EDE2208 may be utilized independently from one another. Activity on one channel in no way affects any of the other channels.

**Important Note:** Unused INPUTS of the EDE2208 should be connected to either +5V (Vcc) or Ground to avoid oscillation and excessive power draw. Connection may be direct or through a resistor, such as 4.7K Ohm. Unused OUTPUTS should be left unconnected.

*Although we strive to maintain a high degree of technical accuracy, this document may contain typographical errors or other inaccuracies. We reserve the right to correct any inaccuracy in future editions of this document without notice. This document and examples contained herein are provided 'As Is' without warranty of any kind expressed or implied. This document is to be used for informational purposes only and may not be duplicated for commercial purposes other than by distributors authorized by E-Lab Digital Engineering, Inc.*

## ABSOLUTE MAXIMUM RATINGS

Supply Voltage ..... 5.5V  
Max. current sunk by an output pin ..... 25mA  
Max. current sourced by an output pin ..... 25mA  
Max. current sourced by all 8 outputs..... 200mA

## STANDARD OPERATING CONDITIONS

Supply voltage ..... 3.0V to 5.5V  
Typical current draw..... 670 uA at 5V Vcc; 370 uA at 3V Vcc  
Operating temperature ..... 0°C to +70°C (extended temp available)

## IMPORTANT NOTICE

E-LAB Digital Engineering, Inc. (E-LAB), reserves the right to change products or specifications without notice. Customers are advised to obtain the latest versions of product specifications, which should be considered when evaluating a product's appropriateness for a particular use.

THIS PRODUCT IS WARRANTED TO COMPLY WITH E-LAB'S SPECIFICATION SHEET AT THE TIME OF DELIVERY. BY USING THIS PRODUCT, CUSTOMER AGREES THAT IN NO EVENT SHALL E-LAB BE LIABLE FOR ANY DIRECT, INDIRECT, SPECIAL, INCIDENTAL OR CONSEQUENTIAL DAMAGES AS A RESULT OF THE PERFORMANCE, OR FAILURE TO PERFORM, OF THIS PRODUCT.

E-LAB MAKES NO OTHER WARRANTIES, EXPRESSED OR IMPLIED, INCLUDING ANY IMPLIED WARRANTIES OF MERCHANTABILITY OR FITNESS FOR A PARTICULAR PURPOSE.

E-LAB'S LIABILITY IS FOR A PERIOD NO GREATER THAN 90 DAYS FROM DATE OF SHIPMENT BY E-LAB AND IS LIMITED TO REPLACEMENT OF DEFECTIVE PRODUCT. This warranty covers only defects arising under normal use and not malfunctions resulting from misuse, abuse, modification, or repairs by anyone other than E-LAB.

E-LAB'S PRODUCTS ARE NOT AUTHORIZED FOR USE AS CRITICAL COMPONENTS IN LIFE SUPPORT DEVICES OR SYSTEMS WITHOUT THE EXPRESS WRITTEN APPROVAL OF THE PRESIDENT OF E-LAB. Life support devices or systems are those which are intended to support or sustain life and whose failure to perform can be reasonably expected to result in a significant injury or death to the user. Critical components are those whose failure to perform can be reasonably expected to cause failure of a life support device or system or affect its safety or effectiveness.

## COPYRIGHT NOTICE

This product may not be duplicated. E-LAB Digital Engineering, Inc. holds all copyrights on firmware, with all rights reserved. Unauthorized duplication of this device will be subject to penalty under state and/ or federal law.

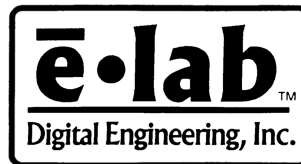
EDE2208 and the E-LAB logo are trademarks of E-LAB Digital Engineering, Inc. All other trademarks and registered trademarks are property of their respective owners.

## CONTACTING US

We are continually updating our product line. Please contact us for our latest product information.

**E-LAB Digital Engineering**  
Carefree Industrial Park  
1600 North 291 Hwy. Suite 330  
Independence, MO 64058

Telephone: (816) 257-9954  
FAX: (816) 257-9945



Internet:  
[www.elabinc.com](http://www.elabinc.com)

E-Mail:  
[support@elabinc.com](mailto:support@elabinc.com)