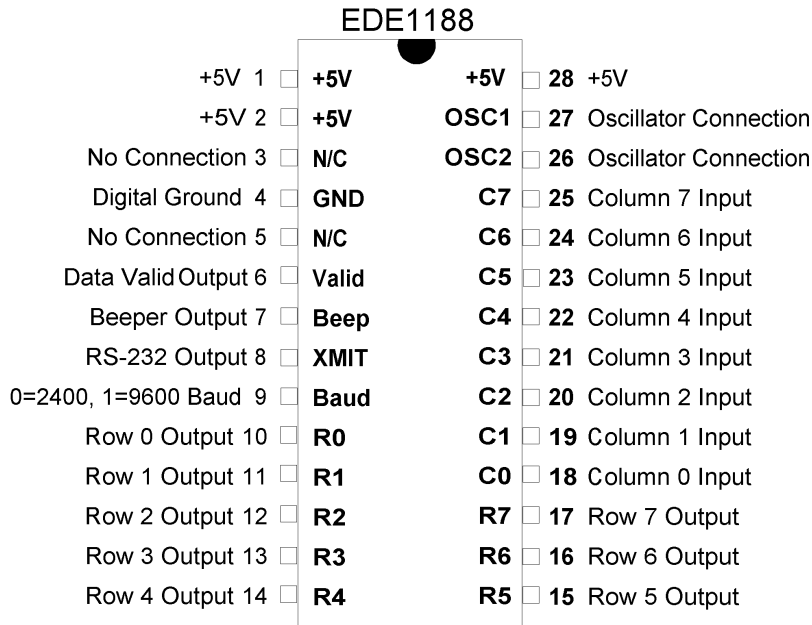


EDE1188 Keypad Encoder IC

8 x 8 Matrix Keypad Encoder IC



Functionality & Feature Set:

- **Automatic key repeat after delay**
- **Contact debouncing**
- **Keybeep provides tactile feedback to operator**
- **Electrically quiet (reduced EMI) keypad scanning**
- **Serial and Parallel outputs**
- **Data Valid output signal for interrupt activation**
- **2400/ 9600 serial Baud rates**
- **Available in 28 pin DIP or SOIC packages**
- **Interfaces to any microcontroller or microprocessor**
- **Cost effective for OEM applications**

The EDE1188 Keypad Encoder IC is designed to interface a matrix-type keypad (up to 8 rows x 8 columns, or 64 keys) to a microcontroller or other host processor. A one-wire serial or eight-wire parallel interface returns the keypress data and can be used in conjunction with the 'Data Valid' signal for polled or interrupt-driven applications. The EDE1188 provides enhanced keypad features such as contact debouncing and key auto-repeat in an easy-to-use package that lowers the software overhead in the host microcontroller and reduces the I/O pin requirements from sixteen to one, frequently resulting in the use of a less costly host microcontroller in your design.

In addition, the EDE1188 is electrically quiet. Many keypad encoders continually scan the keypad, radiating EMI noise from the wires leading to the keypad (resulting in trouble during emissions testing & final product certification & approval). The EDE1188 reduces this problem by monitoring the keypad with unchanging signals, and then scanning only once each time a keypress is detected.

PIN DEFINITIONS

Keypad Connection Pins:

(R0) Row 0 / Data 0 Output (Pin 10).....	Multiplexed Keypad Row 0, Host System Data Input 0
(R1) Row 1 / Data 1 Output (Pin 11).....	Multiplexed Keypad Row 1, Host System Data Input 1
(R2) Row 2 / Data 2 Output (Pin 12).....	Multiplexed Keypad Row 2, Host System Data Input 2
(R3) Row 3 / Data 3 Output (Pin 13).....	Multiplexed Keypad Row 3, Host System Data Input 3
(R4) Row 4 / Data 4 Output (Pin 14).....	Multiplexed Keypad Row 4, Host System Data Input 4
(R5) Row 5 / Data 5 Output (Pin 15).....	Multiplexed Keypad Row 5, Host System Data Input 5
(R6) Row 6 / Data 6 Output (Pin 16).....	Multiplexed Keypad Row 6, Host System Data Input 6
(R7) Row 7 / Data 7 Output (Pin 17).....	Multiplexed Keypad Row 7, Host System Data Input 7
(C0) Column 0 Input (Pin 18).....	Multiplexed Keypad Column 0 (through 330 Ω resistor)
(C1) Column 1 Input (Pin 19).....	Multiplexed Keypad Column 1 (through 330 Ω resistor)
(C2) Column 2 Input (Pin 20).....	Multiplexed Keypad Column 2 (through 330 Ω resistor)
(C3) Column 3 Input (Pin 21).....	Multiplexed Keypad Column 3 (through 330 Ω resistor)
(C4) Column 4 Input (Pin 22).....	Multiplexed Keypad Column 4 (through 330 Ω resistor)
(C5) Column 5 Input (Pin 23).....	Multiplexed Keypad Column 5 (through 330 Ω resistor)
(C6) Column 6 Input (Pin 24).....	Multiplexed Keypad Column 6 (through 330 Ω resistor)
(C7) Column 7 Input (Pin 25).....	Multiplexed Keypad Column 7 (through 330 Ω resistor)

Control & Data Pins:

Valid (Pin 6).....	Data Valid Signal / Parallel data valid when low
Beep (Pin 7).....	Modulated Output Signal: Oscillates on keypress or repeat
XMIT (Pin 8).....	Serial Data Output (N-8-1); RS232 timing, TTL/CMOS Voltage
Baud (Pin 9).....	Baud Rate Selection: 0=2400, 1=9600

Clock / Power Pins:

OSC1 (Pin 27).....	One pin of 4MHz parallel-cut crystal or resonator, or a direct TTL clock input
OSC2 (Pin 26).....	Other pin of 4MHz parallel-cut crystal or resonator, or leave floating if OSC1 driven with a TTL clock input
+5V (Pins 1,2,28).....	Connect to +5V DC
GND (Pin 4).....	Connect to 0V DC (Ground)

Note: DIP are SOIC (surface mount) packages of the EDE1188 have identical pinout. Please specify EDE1188/P (for DIP) or EDE1188/SO (for SOIC) when ordering.

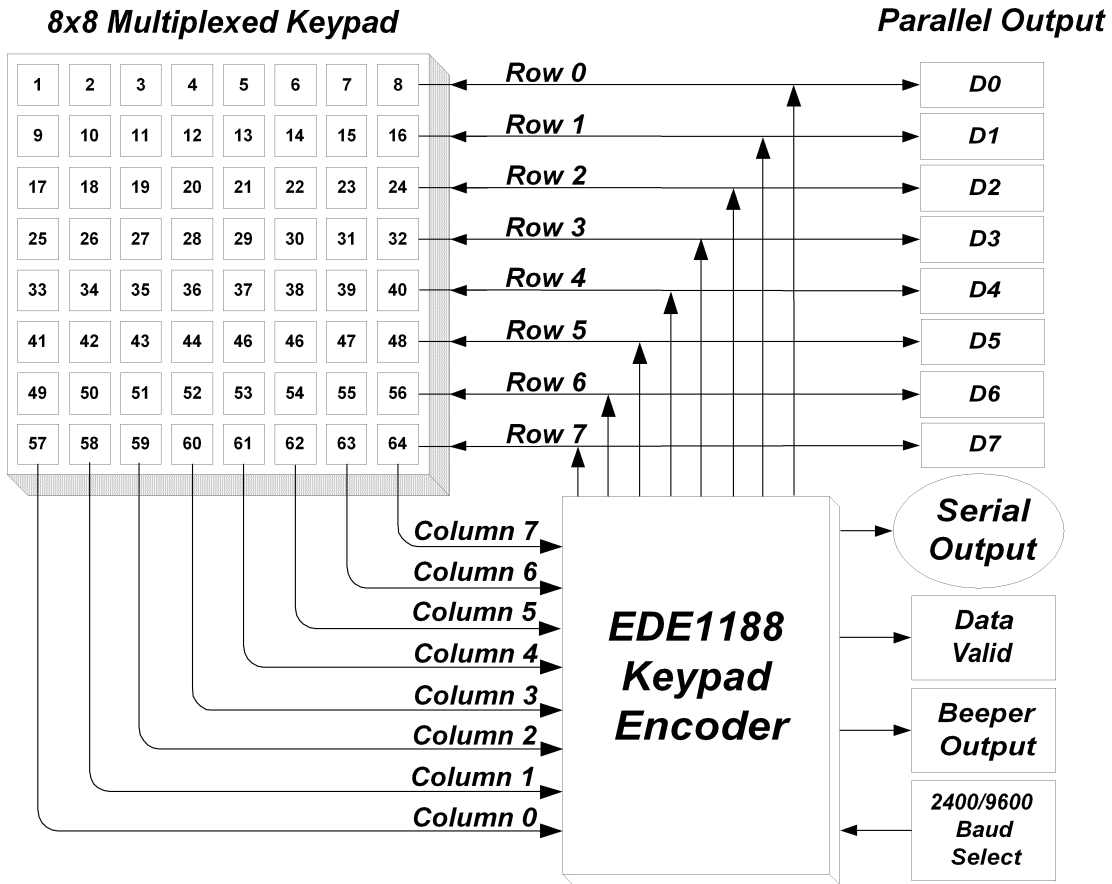


Figure One: Connection Block Diagram

As illustrated by Figure One, the EDE1188 resides between the keypad and host microcontroller/processor. The host microcontroller receives keypress data via either the eight parallel data outputs (D0-D7, Pins 10-17) or the Serial Data Output (Pin 8). The Data Valid signal (Pin 6) is activated upon keypress (and upon each key repeat cycle if key is held). The Data Valid signal is activated prior to transmission of the serial data to allow polled (software-UART) style host serial systems such as the BASIC Stamp™ or a microcontroller without a hardware UART to enter the serial receive routine and receive the keypress data without needing to continually wait for the start bit. Note that the data outputs to the host microcontroller reside on the row output pins (Pins 10-17), therefore parallel-output data should only be read when the Data Valid (Pin 6) signal is active (low). Upon powerup, the eight data output pins will be high, and will remain high except when a key is pressed.

The following table illustrates the data values returned by the serial and parallel outputs of the EDE188 upon each keypress.

<i>Key Number</i>	<i>Serial Output</i>	<i>Parallel Output</i>	<i>Key Number</i>	<i>Serial Output</i>	<i>Parallel Output</i>
1	\$01 (1 decimal)	00000001	33	\$21 (33 decimal)	00100001
2	\$02 (2 decimal)	00000010	34	\$22 (34 decimal)	00100010
3	\$03 (3 decimal)	00000011	35	\$23 (35 decimal)	00100011
4	\$04 (4 decimal)	00000100	36	\$24 (36 decimal)	00100100
5	\$05 (5 decimal)	00000101	37	\$25 (37 decimal)	00100101
6	\$06 (6 decimal)	00000110	38	\$26 (38 decimal)	00100110
7	\$07 (7 decimal)	00000111	39	\$27 (39 decimal)	00100111
8	\$08 (8 decimal)	00001000	40	\$28 (40 decimal)	00101000
9	\$09 (9 decimal)	00001001	41	\$29 (41 decimal)	00101001
10	\$0A (10 decimal)	00001010	42	\$2A (42 decimal)	00101010
11	\$0B (11 decimal)	00001011	43	\$2B (43 decimal)	00101011
12	\$0C (12 decimal)	00001100	44	\$2C (44 decimal)	00101100
13	\$0D (13 decimal)	00001101	45	\$2D (45 decimal)	00101101
14	\$0E (14 decimal)	00001110	46	\$2E (46 decimal)	00101110
15	\$0F (15 decimal)	00001111	47	\$2F (47 decimal)	00101111
16	\$10 (16 decimal)	00010000	48	\$30 (48 decimal)	00110000
17	\$11 (17 decimal)	00010001	49	\$31 (49 decimal)	00110001
18	\$12 (18 decimal)	00010010	50	\$32 (50 decimal)	00110010
19	\$13 (19 decimal)	00010011	51	\$33 (51 decimal)	00110011
20	\$14 (20 decimal)	00010100	52	\$34 (52 decimal)	00110100
21	\$15 (21 decimal)	00010101	53	\$35 (53 decimal)	00110101
22	\$16 (22 decimal)	00010110	54	\$36 (54 decimal)	00110110
23	\$17 (23 decimal)	00010111	55	\$37 (55 decimal)	00110111
24	\$18 (24 decimal)	00011000	56	\$38 (56 decimal)	00111000
25	\$19 (25 decimal)	00011001	57	\$39 (57 decimal)	00111001
26	\$1A (26 decimal)	00011010	58	\$3A (58 decimal)	00111010
27	\$1B (27 decimal)	00011011	59	\$3B (59 decimal)	00111011
28	\$1C (28 decimal)	00011100	60	\$3C (60 decimal)	00111100
29	\$1D (29 decimal)	00011101	61	\$3D (61 decimal)	00111101
30	\$1E (30 decimal)	00011110	62	\$3E (62 decimal)	00111110
31	\$1F (31 decimal)	00011111	63	\$3F (63 decimal)	00111111
32	\$20 (32 decimal)	00100000	64	\$40 (64 decimal)	01000000

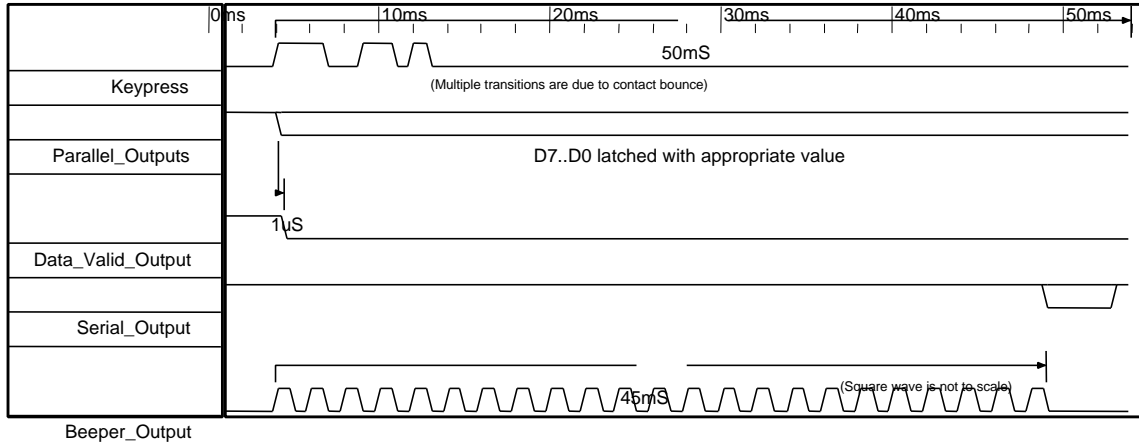
Table One: Keynumber vs. Output Data

OVERVIEW OF OPERATION

Table One of the previous page illustrates the data that is output upon each keypress. The following sequence is initiated upon each keypress, and is repeated if the key is held:

1. *Keypress is detected*
2. *One scan cycle is performed*
3. *Parallel Outputs (D7..D0) are latched with the appropriate value*
4. *Data Valid signal is activated (pulled low)*
5. *Beeper (1KHz square wave) is activated for 45mS*
6. *Serial data is transmitted*

This entire cycle takes 50mS (regardless of Baud rate selected). If a key is held longer than the autorepeat delay of 660 mS, the cycle is repeated again at a rate of 5 times per second. The following timing diagram illustrates the above sequence:



Once a key is pressed, any additional closures (bounce) of that contact, or of any other contacts are ignored for 50mS, during which several signals are output by the EDE1188. First, the parallel outputs D0..D7 (Pins 10-17) are latched with the appropriate keypress value. One microsecond later, the Data Valid Output (Pin 6) goes low, indicating that there is valid data on the parallel output pins. Following this, the Beeper Output (Pin 7) pulse stream is generated for 45mS, providing auditory confirmation to the keypad operator that a key has been pressed. Finally, the RS-232 Output (Pin 8) transmits the keypress data at the Baud rate selected by the Baud rate input select (Pin 9). After this, a delay period (determined by Baud rate chosen) is waited to make the entire process to last precisely 50mS.

If a key is held longer than the autorepeat delay of 660mS, the outputs are cleared and this entire process is repeated every 204mS until the key is released by the operator.

Figure Two illustrates a typical connection of a 8x8 keypad to the EDE1188. Note that R0-R7 (Pins 10-17) are connected to the keypad rows through 330 Ohm resistors. They are present to prevent a short circuit during the scan cycle in case more than one key is being held at a time, and they also help to lower radiated emissions from the keypad wires. The 4.7K Ohm resistors on the keypad columns are pulldowns to prevent the EDE1188 column inputs from floating or oscillating. Pulldowns should be present on all eight column inputs (C0..C7) regardless of the keypad size or configuration being used. *Note: Power and Ground connections have been omitted from the EDE1188 hookup shown in Figure Two to simplify the illustration. They must be connected in actual operation. Also, when using a 4MHz resonator with internal capacitors, the third (center) pin should be connected to ground.*

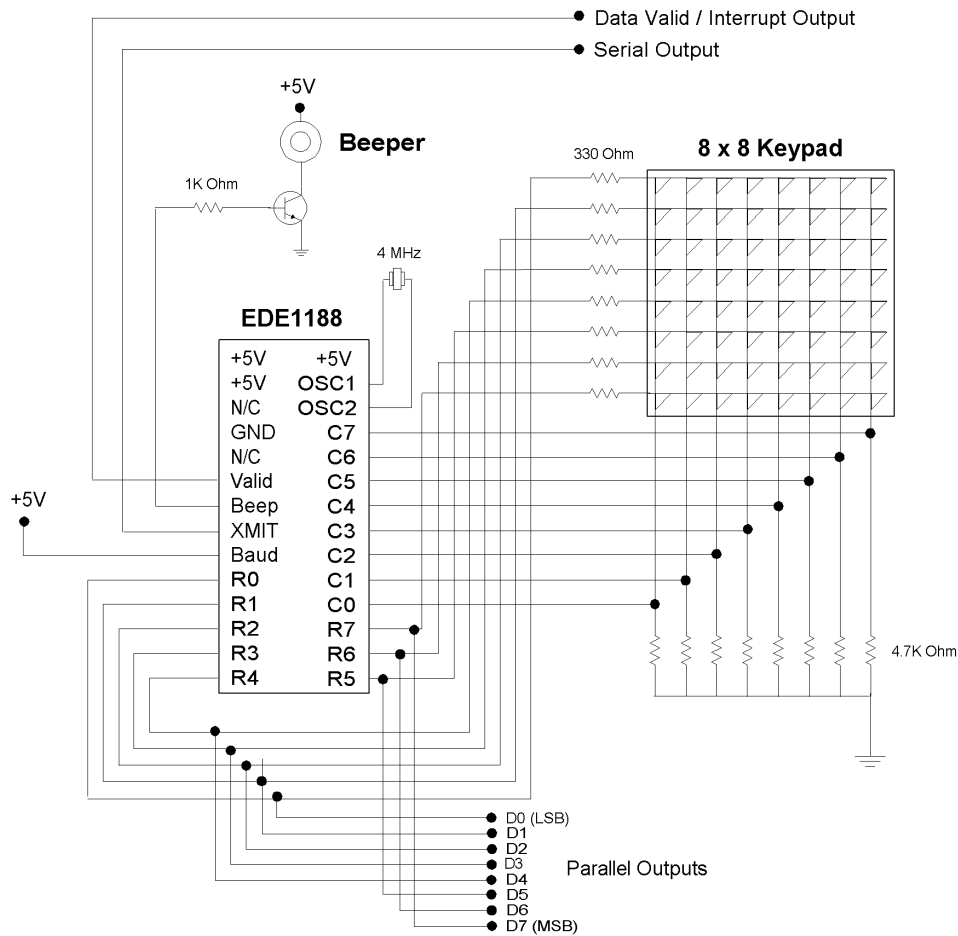


Figure Two: Schematic of Keypad Connection

PARALLEL DATA CONNECTION

To read data from the EDE1188 in a parallel as opposed to serial format, your host microcontroller should input from the eight data inputs D0-D7, which also serve as the row drive signal pins R0-R7 (see Figure Two). While the EDE1188 is waiting for a keypress, it will hold all eight lines high. Once a key is pressed, the data output pins will toggle while the keypad is scanned so that the EDE1188 can determine which key was pressed. Then, the appropriate data value (see Table One) will be output onto the data outputs (the row output pins), and the Data Valid Output (Pin 6) will go low. This pin will stay low for 50 mS, during which the Data Output pins will hold the keypress data. The keypress data should be sampled during this 50mS window.

Both the Parallel & Serial Data outputs are activated on each keypress (and autorepeat cycle); designers using the parallel data outputs can ignore the serial data output (and vice versa - designers using the serial data output can ignore the parallel data output).

SERIAL DATA CONNECTION

To receive keypress data serially from the EDE1188, two options exist. The first (typically used with a host microcontroller having an onboard hardware UART) is to simply connect the XMIT (Pin 8) line to the host microcontroller's serial data input. Each time a key is pressed (or the autorepeat loop cycles) one byte will be transmitted, corresponding to the values shown in Table One. The host microcontroller's hardware UART's 'Receive Buffer Full' flag can be polled to monitor for newly received serial data; alternately the host microcontroller can be configured to generate an interrupt when a new byte is received by the UART.

The second method of receiving serial data from the EDE1188 involves the use of the Data Valid signal (Pin 6). This pin can be polled by the host microcontroller, or connected to an external interrupt input. Once this pin transitions to its active level (low), the EDE1188 pauses 45mS (while the keybeep signal is generated) before the start bit and remaining data bits are sent, during which the host microcontroller can finish what it is doing and enter the serial receive routine, holding there until it detects the EDE1188's start bit. This method is ideal for BASIC Stamps™ and other devices using a 'software' (a non-hardware, or 'bit-bang') UART.

SMALLER KEYPADS

The EDE1188 can be used with keypads smaller than 8 rows by 8 columns, such as five rows by four columns, two rows by six columns, etc. Simply connect the keypad as shown in Figure Two, starting with Row 0 and Column 0, connecting as many rows and columns as your keypad has. Be certain to use the 330 Ohm resistor to connect each row of your keypad, and also be certain to pull all eight column inputs (C0..C7) to ground with eight 4.7K Ohm resistors as illustrated in Figure Two.

BEEPER CONNECTION

In order to provide tactile feedback to the operator, the Beeper Output (Pin 7) of the EDE1188 is designed to drive a piezo beeper or speaker via a NPN transistor such as the 2N2222. Figure Two illustrates a typical common-emitter configuration. With the common-emitter drive configuration, be certain to use a resistor from the EDE1188 Beeper Output (Pin 7) to the transistor's base pin to limit base drive current. Your particular beeper may or may not require a resistor in series with it to limit current. The drive signal is a 1KHz square wave, toggling from 0 to 5 Volts, with a duration of 45mS.

RS-232 OUTPUT

The RS-232 Output (Pin 8) transmits serial data to the host microcontroller. This data is sent at either 2400 or 9600 Baud, as selected by Pin 9. Data is sent in traditional N-8-1 (no parity, 8 data bits, one stop bit) format at TTL/CMOS voltage levels; i.e. 0V to 5V. This serial output signal can be connected directly to the host microcontroller's serial input pin without any type of voltage level conversion. However, if data is to be sent to a device expecting RS-232 voltage levels of -12V to +12V (such as a PC), a voltage level conversion IC such as the MAX232 will be needed between the EDE1188's serial output pin and the PC's serial input pin.

Although we strive to maintain a high degree of technical accuracy, this document may contain typographical errors or other inaccuracies. We reserve the right to correct any inaccuracy in future editions of this document without notice. This document and examples contained herein are provided 'As Is' without warranty of any kind expressed or implied. This document is to be used for informational purposes only and may not be duplicated for commercial purposes other than by distributors authorized by E-Lab Digital Engineering, Inc.

ABSOLUTE MAXIMUM RATINGS

- Oscillator frequency 4 MHz
- Supply Voltage 7.5V
- Ambient temperature under bias -55°C to +125°C
- Max. current sunk by an output pin 25mA
- Max. current sourced by an output pin 20mA
- Max. current sunk by all 4 column inputs..... 50mA
- Max. current sourced by all 4 row outputs..... 40mA

STANDARD OPERATING CONDITIONS

- Supply voltage 4.75V to 5.25V
- Typical current draw..... 1.8mA
- Operating temperature 0°C to +70°C

IMPORTANT NOTICE

E-LAB Digital Engineering, Inc. (E-LAB), reserves the right to change products or specifications without notice. Customers are advised to obtain the latest versions of product specifications, which should be considered when evaluating a product's appropriateness for a particular use.

THIS PRODUCT IS WARRANTED TO COMPLY WITH E-LAB'S SPECIFICATION SHEET AT THE TIME OF DELIVERY. BY USING THIS PRODUCT, CUSTOMER AGREES THAT IN NO EVENT SHALL E-LAB BE LIABLE FOR ANY DIRECT, INDIRECT, SPECIAL, INCIDENTAL OR CONSEQUENTIAL DAMAGES AS A RESULT OF THE PERFORMANCE, OR FAILURE TO PERFORM, OF THIS PRODUCT.

E-LAB MAKES NO OTHER WARRANTIES, EXPRESSED OR IMPLIED, INCLUDING ANY IMPLIED WARRANTIES OF MERCHANTABILITY OR FITNESS FOR A PARTICULAR PURPOSE.

E-LAB'S LIABILITY IS FOR A PERIOD NO GREATER THAN 90 DAYS FROM DATE OF SHIPMENT BY E-LAB AND IS LIMITED TO REPLACEMENT OF DEFECTIVE PRODUCT. This warranty covers only defects arising under normal use and not malfunctions resulting from misuse, abuse, modification, or repairs by anyone other than E-LAB.

E-LAB'S PRODUCTS ARE NOT AUTHORIZED FOR USE AS CRITICAL COMPONENTS IN LIFE SUPPORT DEVICES OR SYSTEMS WITHOUT THE EXPRESS WRITTEN APPROVAL OF THE PRESIDENT OF E-LAB. Life support devices or systems are those which are intended to support or sustain life and whose failure to perform can be reasonably expected to result in a significant injury or death to the user. Critical components are those whose failure to perform can be reasonably expected to cause failure of a life support device or system or affect its safety or effectiveness.

COPYRIGHT NOTICE

This product may not be duplicated. E-LAB Digital Engineering, Inc. holds all copyrights on firmware, with all rights reserved. Unauthorized duplication of this device will be subject to penalty under state and/ or federal law.

EDE1188 and the E-LAB logo are trademarks of E-LAB Digital Engineering, Inc. All other trademarks and registered trademarks are property of their respective owners.

CONTACTING US

We are continually updating our product line. Please contact us for our latest product information.

E-LAB Digital Engineering, Inc.
Carefree Industrial Park
1600 N. State Rte. 291 Hwy. Ste. 330
Independence, MO 64052-0436

Telephone: (816) 257-9954
FAX: (816) 257-9945



Internet:
www.elabinc.com

E-Mail:
support@elabinc.com